

# AktiMate Blue

---

Congratulations on your purchase of the AktiMate Blue active speaker system. These speakers have been developed and built to exacting standards. The AktiMate Blue speaker system has a built in 60 Watt per channel amplifier overseen in development by Epoz's own engineers, making this a very flexible and portable hi-fi system. It allows you to listen to your music whenever you like - wherever you like.

With a comprehensive 12 month warranty, your AktiMate Blue system will provide you with years of enjoyment. Choose your source - whether it be a SmartPhone or tablet, iPod or MP3 player, CD player, tuner, TV or any other hi-fi product, connect it, turn up the volume and have some fun!

**Your AktiMate Blue active speaker system comes to you packed full of features.**

One pair of self powered active two-way loudspeakers (1 active/1 Passive) with 60 WPC power output

**Digital inputs:**

- Bluetooth 4.0
- USB 24bit/96khz
- SPDIF Coaxial (RCA)
- SPDIF Optical (Toslink)

**Analog inputs:**

- 2 pairs RCA line inputs
- 3.5mm stereo jack line input

**Analog outputs:**

- One pair RCA line out (full frequency range)
- One subwoofer out single RCA (up to 200Hz)

**Accessories:**

- 8 x rubber feet
- 1 x 3 metre connecting speaker cable
- 2 x red/2 x black 4mm banana plugs
- 1 x 3.5mm cable
- 1 x RCA cable
- 1 x USB cable
- 1 x mains cable
- 1 x metal pin hook for grille removal
- 1 x remote control handset
- 1 x user manual

## **QUICK START GUIDE USING BLUETOOTH**

Connect the speakers with the supplied speaker cable ensuring connection is in phase gold to gold/silver to silver.

Check voltage is set to the correct voltage for your country and be sure the power switch is off.

Connect the mains cable to the active speaker and then to the wall socket.

Switch on the rear panel power switch - a blue LED will indicate power is on.

Choose your source device, whether it be SmartPhone, PC or tablet and select Bluetooth on that device.

The device will find AktiMate Blue.

Select and it will pair automatically.

Choose the music you wish to listen to.

That's it - what could be simpler!

## POSITIONING

It is always worth remembering when positioning hi-fi speakers, that your room acoustics have a huge impact on the overall sound quality. As a consequence, there are no hard and fast rules when specifying placement, so we would always recommend that you try a few different locations to see what works best for your particular taste. As a general rule, your speakers should be at least 15 – 30 cm (6 -12 ins) from a rear wall. The ideal height is when tweeters are at eye or ear level when listening. If you can place your AktiMate Blue speakers on dedicated stands, all the better!

## RUNNING IN

Although a running in period is not required, AktiMate Blue speakers, like all good quality hi-fi speakers, will undoubtedly improve after some use. We recommend that you play between 12 and 24 hours of music before doing any critical listening. You'll be surprised at the result!

## CLEANING

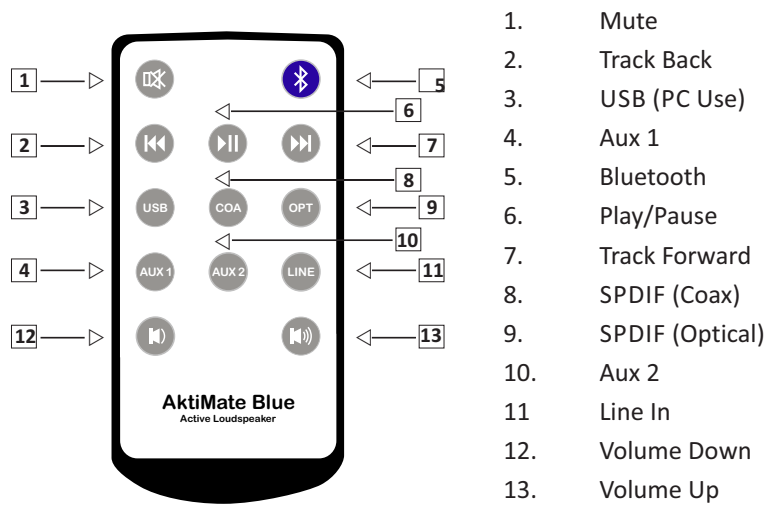
We wouldn't recommend the use of any commercial solvents or household cleaners. All you need to do is to wipe them over with a soft, dry cloth.

## REMOTE CONTROL

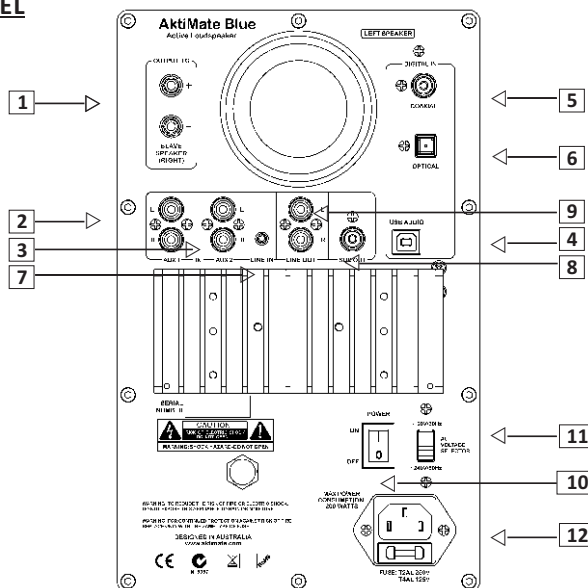
Whilst you have control of your AktiMate Blue via the front panel control knob, you will no doubt find it easier to use the handheld remote.

All selections are clearly described. In addition to input selection you also have basic control of your music selection when using the Bluetooth option in conjunction with your smart device.

Volume up and down plus mute also feature on this remote.



## REAR PANEL



1. Connection to slave speaker
2. RCA Stereo input (Aux 1)
3. RCA Stereo input (Aux 2)
4. USB Input - for PC connection only
5. S/PDIF Coax Input
6. S/PDIF Optical Input
7. Line in 3.5 mm stereo jack
8. Sub woofer Output
9. Line Out Stereo Output
10. Power on/off switch
11. Voltage selection
12. Mains cable connection

## **CONNECTIONS**

AktiMate Blue has a choice of analog or digital inputs. The use of these is determined by the source equipment which you are connecting to the active speaker.

### **Analog inputs**

Two RCA inputs are provided if you wish to use an analog connection from your source. These are very straightforward and can be used for most devices. In addition there is a 3.5mm stereo jack input.

### **Digital inputs**

The speaker also has two S/PDIF digital inputs - one COAX and one OPTICAL. It is better to use a digital input if you are connecting a digital source as you will receive better audio quality. An S/PDIF connection will carry compressed digital audio signals. A common use is to carry two channels of uncompressed digital audio from a CD player to the amplifier.

Signals transmitted over consumer-grade optical S/PDIF connections are identical in content to those transmitted over coaxial S/PDIF connectors.

For example, if you have a high grade CD player you would use the Optical out of that player to the Optical in of the speaker. What you cannot do is to connect from the Coaxial connection on one product to the Optical connection on the other. The use of a digital input is ideal if you are connecting these speakers to your television.

The USB input on the AktiMate Blue is for use with a PC only. It does not accommodate an MP3 player (you would use the 3.5mm line in option), nor does it accommodate a USB stick.

## **THE BASICS**

Switch the system on with the power switch on the rear panel. The blue power on LED will light. The active speaker features a volume/control knob on the lower right hand side of the front of the speaker and an infrared sensor on the lower left, which contains 3 indicator LED's – Blue when the system is on and operating, White when the system is in Bluetooth mode and Red when in Mute.

Choose your desired input from the remote control or from the volume/control knob on the front of the speaker. Subsequent presses progress from input to input in the following sequence:  
bluetooth → USB → coaxial → optical → aux1 → aux2 → line → bluetooth

## **WARRANTY**

AktiMate Blue has a 12 month warranty, applicable in the country of purchase and to the original purchaser only. Proof of purchase is required at the time any warranty service is sought.

If you believe your speaker system requires service please contact the dealer from whom you purchased the product. They will be able to (a) verify warranty and (b) provide details of the AktiMate service centre closest to you. It is your responsibility to get your speakers to the nearest service centre.

Repair cost inclusive of labour and parts if required, plus cost of return is covered by the warranty.

International distributors can be found at [www.aktimate.com/distributors.html](http://www.aktimate.com/distributors.html)

## SPECIFICATIONS

Configuration	2-way active bookshelf/standmount - 1 passive/1 active speaker
Output	60 Watts into its own 4 Ohm speaker load
Woofer	165 mm (6 ½" ) mid bass with polypropylene cone. Shielded magnet
Tweeter	25 mm (1") soft dome with neodymium magnet
Frequency Response	48 Hz - 22 kHz +/- 1.5dB
Power Amplifier	Type Class AB (built in) 60W per channel RMS National Semiconductors LM4780 Overture PGA 2311 digitally controlled analog volume control
Transformer	160 Watt toroidal power transformer
DAC (For USB & SPDIF inputs)	Wolfson WM8761 24bit/192kHz Sigma-Delta
Inputs	2 x Pairs Stereo RCA sockets 1 x 3.5mm stereo jack (line) 1 x USB 24 bit/96 Hz for PC use 1 x S/PDIF (Optical) 1 x S/PDIF (Coaxial)
Outputs	1 Pair RCA sockets (unfiltered) 1 Subwoofer Out (up to 200 Hz)
THD	<0.05%
Crosstalk	<50dB
Input Impedance	22 kOhms unbalanced
Passive Speaker Impedance	4 Ohms
Protection	Output current limiting. Thermal over temperature. Power on/off transient protection.
Mains Voltage	Replaceable external mains fuse. 240/120V 50/60Hz
Inclusions	IEC mains power cord. Connecting speaker wire. 3.5mm connection cable. USB Cable. RCA cable. Rubber feet. 4mm banana plugs. Remote control handset. Metal pin hook.
Remote handset	Uses 2 x AAA batteries
Finish	High gloss black, red or white
Size	320 x 210 x 260 mm (12 ½" x 8 ¼" x 10 ¼")
Weight	16 kgs (35 ¼ lbs) per pair
Packed	1 pair per carton